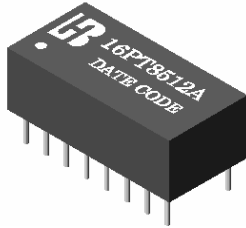


10/100 BASE-T TRANSFORMER

P/N:16PT8512A DATA SHEET

Feature

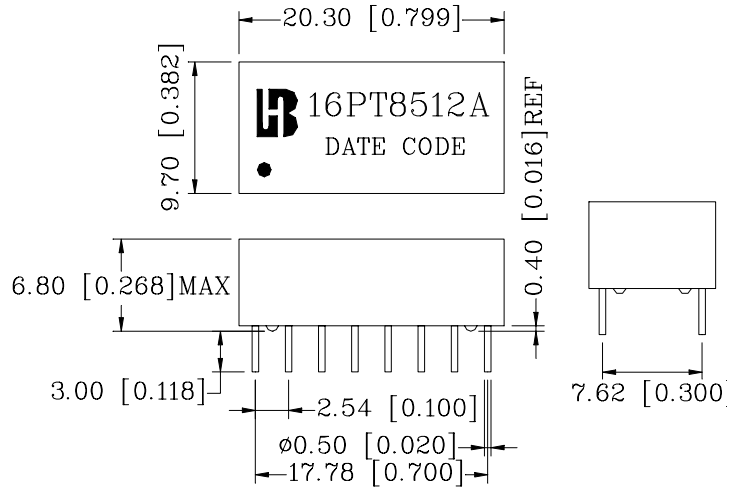
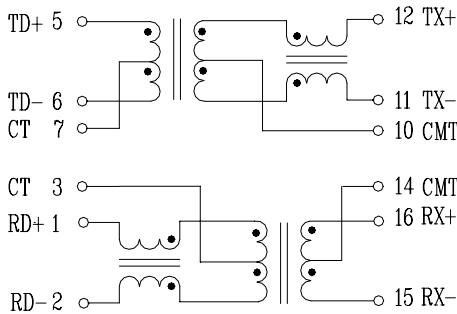


- Designed for 10/100 MB/s transmission over UTP-5 cable.
- Cable interface for isolation and low common mode emissions.
- 16-PIN DIP package for economic cost.
- Operating Temperature range: 0°C to +70°C.
- Storage temperature range: -25°C to +125°C.

| Electrical Specifications @ 25°C | | | | | | | | | | | | |
|----------------------------------|-------------------|---------|---|---------------------------|--------------|---------------------------|---------------|----------------------|-------|-------|---------------------|--|
| Part Number | Turns Ratio (±5%) | | OCL (uH Min) @ 100KHz/0.1V with 8mA DC Bias | C _{www} (pF Max) | L.L (uH Max) | Rise Time (10-90%) nS TYP | HI-POT (Vrms) | Continue | | | | |
| | TX | RX | | | | | | Return Loss (dB Min) | | | Cross talk (dB Min) | |
| | 0.3-100 MHz | 30MHz | 40MHz | 50MHz | 60MHz | 80MHz | 0.3-60MHz | 60-100MHz | 30MHz | 60MHz | 100MHz | |
| 16PT8512A | 1CT:1CT | 1CT:1CT | 350 | 56 | 0.4 | 2.5 | 1500 | | | | | |
| 16PT8512A | -1.15 | -16 | -14 | -13.5 | -13 | -12 | -45 | -35 | -40 | -30 | -25 | |

Schematic

Mechanical



Units: mm[Inches]
 Tolerances: xx.x0±0.25[0.010]
 0.xx±0.05[0.002]